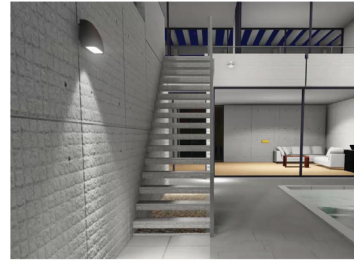


WP01

TECHNICAL

Materials of Optics	PC
Materials of Housing	Aluminium
Light Source	SMD (SCDM <3)
Color Temperature	3000K/ 4000K/ 5000K/ 5700K
Luminous Efficiency@5000K	135 Lum/W
CRI	≥80
Beam Angle(°)	RO8401
UGR	-
Lifetime(hr)	>90,000h
Product Finishing	Black

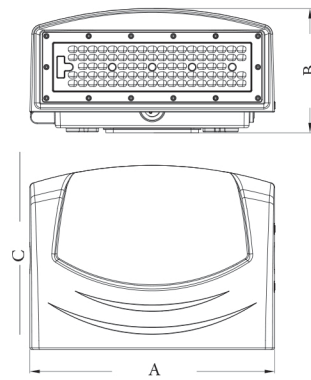


FEATURES & BENEFITS

LED Driver	Built-in
Dimming Option	Dali/1-10V
Functions	-
Ingress Protection (IP Rating)	IP66
Impact Resistance (IK Rating)	IK08
Power Factor (PF)	>0.90
Certification	



ACCESSORIES & DIMENSIONS



MODEL REF.

Standard CCT 4000K

CODE	WATT	INPUT VOLTAGE(V)	SIZE(AxBmm)	LUMEN(±5%)	N.W/pc(kgs)
WP01-40	40W	AC220-240V	296x150x223	5400	1.15
WP01-70	70W	AC220-240V	296x150x223	9400	1.81