

UST

TECHNICAL

Materials of Optics	PC Lens / Temp Glass
Materials of Housing	Made of cast aluminum alloy, chemically treated, and polyester powder coated.
Light Source	SMD (SCDM <3)
Color Temperature	3000K/ 4000K/ 5000K/ 5700K
Luminous Efficiency	120 Lum/W
CRI	>80
Beam Angle(°)	RO1201, RO1203, RO1204
UGR	-
Lifetime(hr)	>94,000h
Product Finishing	Black

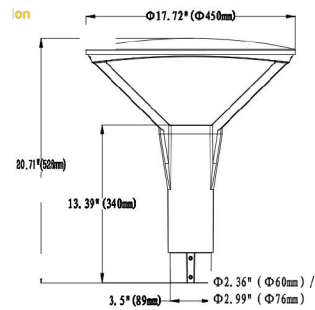


FEATURES & BENEFITS

LED Driver	Built-In
Dimming Option	Dali/1-10V
Functions	Power adjustable for different light outputs
Ingress Protection (IP Rating)	IP66
Impact Resistance (IK Rating)	IK08
Power Factor (PF)	> 0.90
Certification	



ACCESSORIES & DIMENSIONS



MODEL REF.

Standard CCT 5000K

CODE	WATT	INPUT VOLTAGE(V)	SIZE(AxBxCmm)	LUMEN(±5%)	N.W/pc(kgs)
UST-40	40W	220-240V AC	450x526	4800	7.5
UST-60	60W	220-240V AC	450x526	7200	7.9
UST-75	75W	220-240V AC	450x526	9000	7.95
UST-100	100W	220-240V AC	450x526	11250	8.0

Note: Add suffix for fixing arrangement.