

LNC

TECHNICAL

Materials of Optics	PC
Materials of Housing	Aluminium
Light Source	SMD (SCDM <3)
Color Temperature	3000K/4000K/5000K/5700K
Luminous Efficiency@4000K	100 Lum/W
CRI	>80
Beam Angle(°)	90 deg
UGR	
Lifetime(hr)	>50,000h
Product Finishing	White/Black



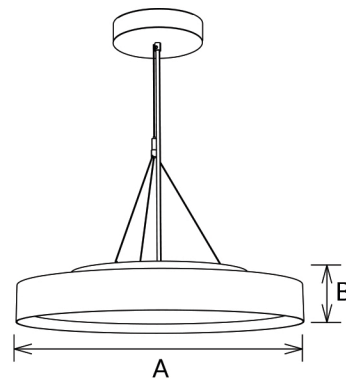
FEATURES & BENEFITS

LED Driver	Built-In
Dimming Option	Dali/1-10V
Functions	
Ingress Protection (IP Rating)	IP20
Impact Resistance (IK Rating)	IK03
Power Factor (PF)	> 0.90

Certification



ACCESSORIES & DIMENSIONS



MODEL REF.

Standard CCT 4000K

CODE	WATT	INPUT VOLTAGE(V)	SIZE(Ax BxCmm)	LUMEN(±5%)	N.W/pc(kgs)
LNC-35	35W	220-240V AC	400x75	3600	3.1
LNC-54	54W	220-240V AC	600x75	5500	4.6
LNC-70	70W	220-240V AC	800x75	7100	6.4
LNC-84	84W	220-240V AC	1000x75	8500	7.5