

# BOL4

## TECHNICAL

Materials of Optics	Die-casting aluminium body in powder coated
Materials of Housing	Aluminium
Light Source	SMD (SCDM <3)
Color Temperature	3000K/ 4000K/ 5000K/ 5700K
Luminous Efficiency@5000K	90 Lum/W
CRI	>80
Beam Angle(°)	90 deg
UGR	-
Lifetime(hr)	50,000h
Product Finishing	Black

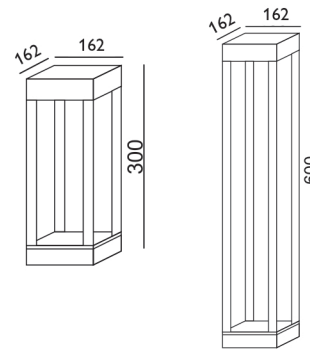


## FEATURES & BENEFITS

LED Driver	Built-In
Dimming Option	Dali/1-10V
Functions	-
Ingress Protection (IP Rating)	IP54
Impact Resistance (IK Rating)	IK03
Power Factor (PF)	> 0.80
Certification	



## ACCESSORIES & DIMENSIONS



## MODEL REF.

Standard CCT 4000K

CODE	WATT	INPUT VOLTAGE(V)	SIZE(AxBxCmm)	LUMEN(±5%)	N.W/pc(kgs)
BOL4-600	12W	220-240V AC	600x162x56	1100	2.60
BOL4-300	12W	220-240V AC	300x162x56	1100	2.99