


# RLL-G



PRODUCT CODES			
	RLL-G 12500/98	RLL-G 16000/125	RLL-G 18500/148
<b>CONSTRUCTION:</b>			
Housing & Optics.	Made of cast aluminum alloy, chemically treated, and polyester powder coated. Optics made of PMMA suitable for operations under high temperature, ME3 Class distribution beam angle as standard with excellent transmission efficiency of 93 % , high thermal stability and UV resistant and pro tested with thermally treated flat toughed glass.		
Mounting Device	FIXED SPIGOT SUITABLE FOR 48-60MM DIA		
Product Dimension (mm) L x W x H	726 x 340 x 135		
Product Color	RAL9007		
<b>ELECTRICAL:</b>			
Input Voltage	220-240V AC		
Frequency	50-60 Hz		
Power Factor	> 0.90		
Power Consumption	98W	125W	148W
Power Consumption Tolerance	+/-10%		
Protection Class	Safety Class(I)		
Glow Wire Test	850 deg C /30 Sec		
<b>CONTROLS:</b>			
Dimmable	NA		
Dimming Options (Variant)	1-10V, DALI, Smart Controls		
<b>PERFORMANCE:</b>			
Luminaire Lumens	12500	16000	18500
CCT	5000K (S) - 4000K / 3000K / 2700K (O)		
CRI	>80		
Initial Chromacity	SCDM <3		
Lumen Maintenance	L90 / B10 > 80000hrs @ 65° C		
Operating Ambient Temperature	+10 to + 55° C		
Storage Temperature	-20 to + 80° C		
Ripple on Modules	<3%		
<b>GENERAL:</b>			
Ingress Protection	IP66		
Impact in Joules	IK09		
Replaceable Modules	Yes		
Luminaire Beam Angle	Batwing Distribution. 		
Markings	CE & ENEC CERTIFIED		
Net Weight	12Kgs		
<b>VARIANTS:</b>			

Available in Different Beam Angles depending on the Road Width, Pole Height, Type of Road. For Beam Angles Codes Refer Page 112.

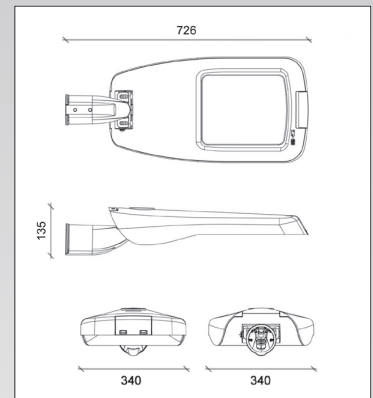
Required variants to be added to the suffix of the code of the fixture.

Note: Lumens, wattage & dimensions are subject to change due to the fast development in LED technology.

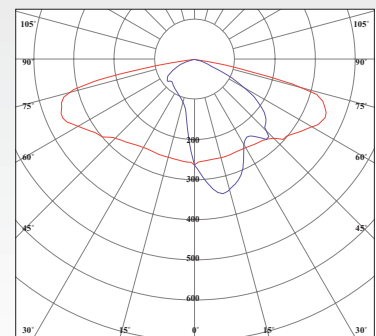
**How to Specify :**

.....Lm and a min. of .....lm/w LED Street light made of high pressure cast aluminum, powder coated to corrosion class II with PMMA lenses, thermally treated toughened glass, and ENEC certified LED modules & driver, L90 / B10 > 80000hrs @ 65° C lumen maintenance, .....color temperature, IP66 and in full conformity with :

- EN60598
- EN55015
- EN61000
- EN61347
- EN61547
- EN62031
- EN62471
- EN62031
- EN62778




**Luminous Intensity Distribution**



Luminous intensity (cd/klm) in level C 0° - 180°  
Luminous intensity (cd/klm) in level C 90° - 270°

# RLL-G

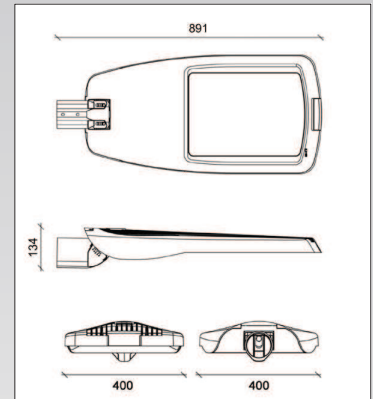


PRODUCT CODES			
	<b>RLL-G 26500/171</b>	<b>RLL-G 30000/218</b>	<b>RLL-G 34500/288</b>
<b>CONSTRUCTION:</b>			
Housing & Optics.	Made of cast aluminum alloy, chemically treated, and polyester powder coated. Optics made of PMMA suitable for operations under high temperature, ME3 Class distribution beam angle as standard with excellent transmission efficiency of 93%, high thermal stability and UV resistant and pro tested with thermally treated flat toughed glass.		
Mounting Device	ADJUSTABLE SPIGOT SUITABLE FOR 48-60MM DIA		
Product Dimension (mm) L x W x H	890 x 400 x 135		
Product Color	RAL9007		
<b>ELECTRICAL:</b>			
Input Voltage	220-240V AC		
Frequency	50-60 Hz		
Power Factor	> 0.90		
Power Consumption	171W	218W	288W
Power Consumption Tolerance	+/-10%		
Protection Class	Safety Class(I)		
Glow Wire Test	850 deg C /30 Sec		
<b>CONTROLS:</b>			
Dimmable	NA		
Dimming Options (Variant)	1-10V, DALI, Smart Controls		
<b>PERFORMANCE:</b>			
Luminaire Lumens	26500	30000	34500
CCT	5000K (S) - 4000K / 3000K / 2700K (O)		
CRI	>80		
Initial Chromacity	SCDM <3		
Lumen Maintenance	L90 / B10 > 80000hrs @ 65° C		
Operating Ambient Temperature	+10 to + 55° C		
Storage Temperature	-20 to + 80° C		
Ripple on Modules	<3%		
<b>GENERAL:</b>			
Ingress Protection	IP66		
Impact in Joules	IK09		
Replaceable Modules	Yes		
Luminaire Beam Angle	Batwing Distribution.		
CE Markings	Yes		
Net Weight	12 Kgs		
<b>VARIANTS:</b>			
Available in Different Beam Angles depending on the Road Width, Pole Height, Type of Road. For Beam Angles Codes Refer Page 112.			
Required variants to be added to the suffix of the code of the fixture.			
Note: Lumens, wattage & dimensions are subject to change due to the fast development in LED technology.			

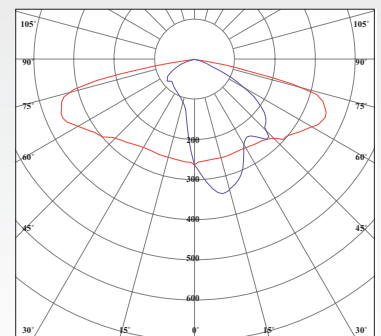
**How to Specify :**

.....Lm and a min. of .....lm/w  
LED Street light made of high pressure cast aluminum, powder coated to corrosion class II with PMMA lenses, thermally treated toughened glass, and ENEC certified LED modules & driver L90 / B10 > 80000hrs @ 65° C lumen maintenance, .....color temperature, IP66 and in full conformity with :

- EN60598
- EN55015
- EN61000
- EN61347
- EN61547
- EN62031
- EN62471
- EN62031
- EN62778

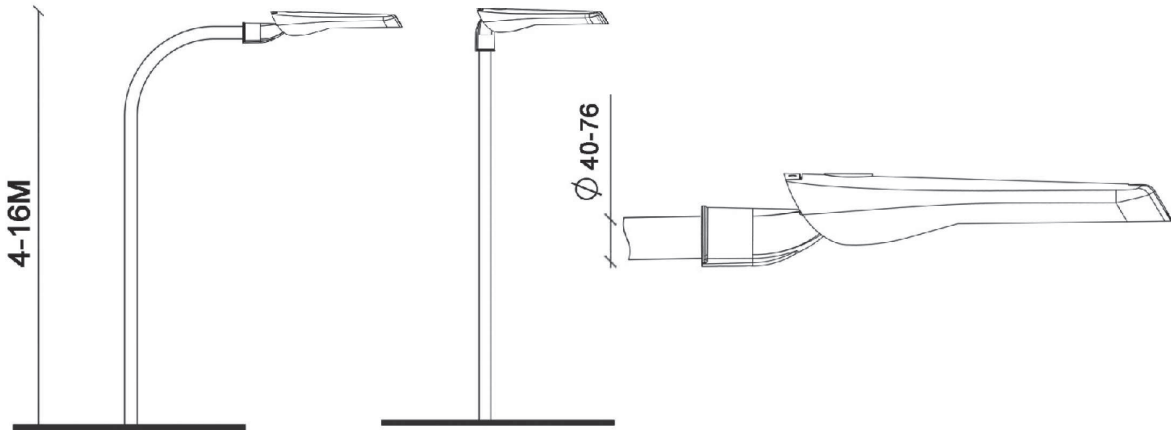


**Luminous Intensity Distribution**

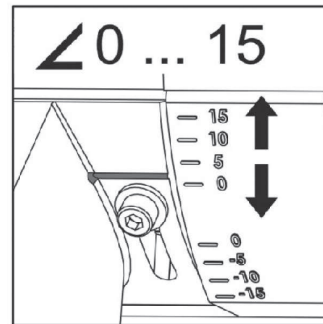
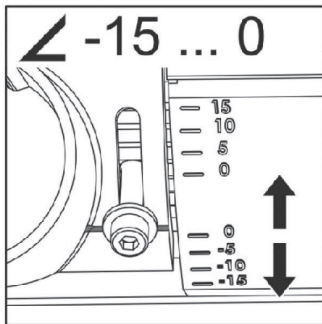


Luminous intensity (cd/klm) in level C 0° - 180°  
Luminous intensity (cd/klm) in level C 90° - 270°

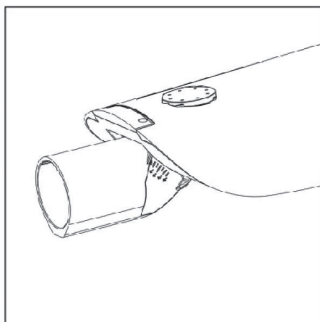
## CONSOLE DIMENSIONS



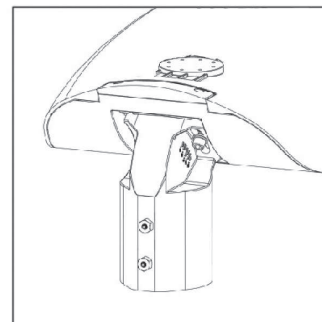
## ANGLE POSITION DIMENSIONS



## HORIZONTAL ENTRY



## VERTICAL ENTRY



## ACCESSORIES



### Microwave Motion Sensor

Detailed Product Description  
 Operating Voltage: 120-277Vac, 50/60Hz  
 HF System: 5.8GHz±75MHz, ISM Wave Band  
 IP Rating: IP65  
 Rated Load: 120Vac 4A Electronic/magnetic Ballast  
 277Vac 3A Electronic/magnetic Ballast  
 Operation Temperature: -25°C-55°C  
 Function: 2 Step/3 Step Dimming/On Off Function  
 Mounting Height: 6-15m  
 Cover Color: Blank Or White  
 Hold Time: 5s/30s/1 min/3min/5min/10min/20min/30min



### Connector

10m cable with IP66 rated connector offers easy installation of the street luminaires.  
 3 wire cable connector



### Surge Protection device

The unique solution for Outdoor lighting systems offering full protection against high surges in insulation Class I/II installations. Provides high surge protection of up to 10KV/10KA for all lighting technologies.



### Shorting Cap

Standard: ANSI C136.10-1996



### Photocell

Standard: ANSIC136.10-2010



### Nema Socket

Standard: ANSIC136.10



### Zhaga Connector

- Contacts rating: 1.5A, 30V (24V typical)
- Meets 10KV dielectric withstand voltage to mounting surface
- 4 pole contacts
- pin 1: 24Vdc
- pin 2: DALI (or DALI based protocol) -/common ground
- pin 3: DALI (or DALI based protocol) +
- pin 4: General I/O

## OPTICS FOR RLLG STREET LIGHT

