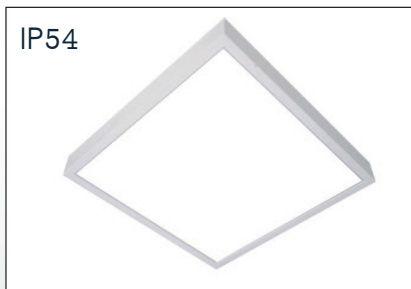
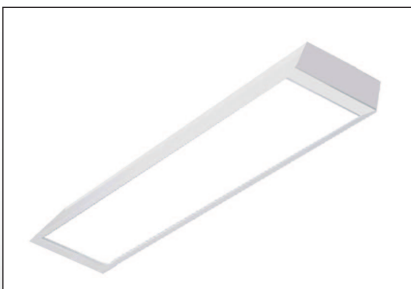
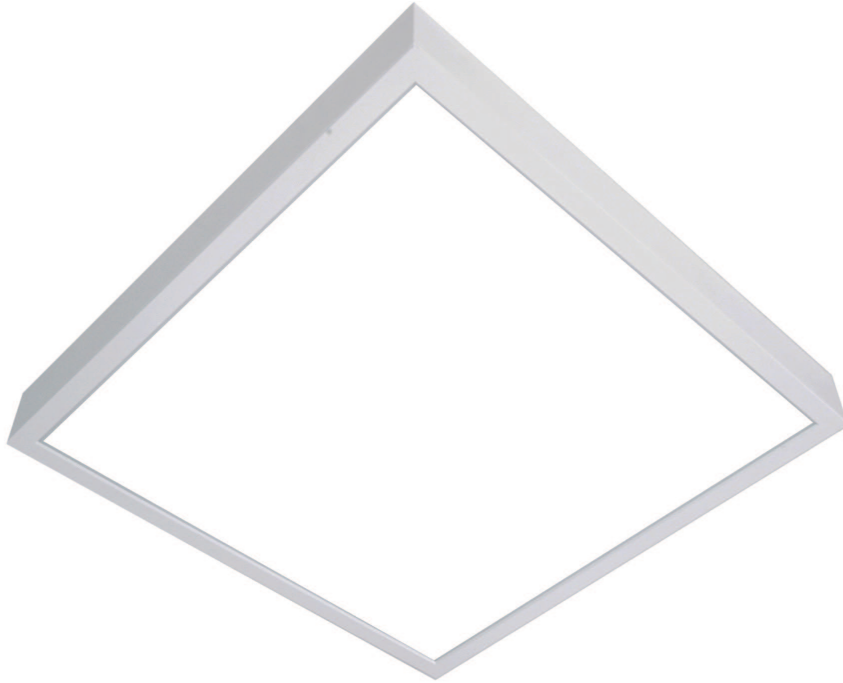


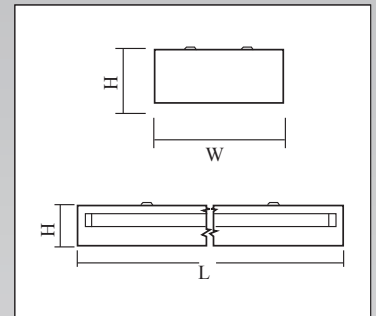
# ODS



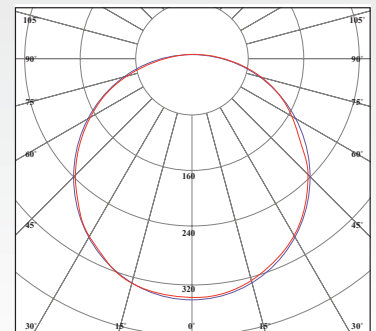
PRODUCT CODES				
	<b>ODS3030-2300/18</b>	<b>ODS3060-3400/26</b>	<b>ODS6060-4000/30</b>	<b>ODS30120-6200/52</b>
<b>CONSTRUCTION:</b>				
Housing & Optics:	In trimmed sheet steel, chemically treated surface to corrosion class II by high pressure spraying at 2.5 bar before its finally electrostatically powder coated with a 60 micron thermo-hardened polyurethane powder, stabilized and UV protected. Optics made of high temperature UV stabilized PMMA material. Excellent optical characteristics with high transmission, diffusion rate, special micro embossing, and free static treatment.			
Mounting Device	Surface / Suspension Mounting using Suspension Kits.			
Product Dimension (mm)	300 x 300 x 90	300 x 600 x 90	620 x 620 x 90	1220 x 300 x 90
Product Color	RAL9016			
<b>ELECTRICAL:</b>				
Input Voltage	220-240V AC			
Frequency	50-60 Hz			
Power Factor	> 0.90			
Power Consumption	18W	26W	30W	52W
Power Consumption Tolerance	+/-10%			
Protection Class	Safety Class(I)			
Glow Wire Test	850 deg C /30 Sec			
<b>CONTROLS:</b>				
Dimmable	Optional			
Dimming Options (Variant)	Dali / 1-10V			
<b>PERFORMANCE:</b>				
Luminaire Lumens	2300	3400	4000	6200
CCT	5000K(S), 4000K (O), 3000K(O)			
CRI	>80			
Initial Chromacity	SCDM <3			
Lumen Maintenance	L80 / B10 > 90000hrs @ 25° C			
Operating Ambient Temperature	+10 to + 55° C			
Storage Temperature	-20 to + 80° C			
Ripple on Modules	<3%			
<b>GENERAL:</b>				
Ingress Protection	IP40			
Impact in Joules	IK03			
Replaceable Modules	Yes			
Luminaire Beam Angle	90 deg			
CE Markings	Yes			
Net Weight	1.4 Kgs	1.4 Kgs	2.5 Kgs	3 Kgs
<b>VARIANTS:</b>				
Available in IP54 Version. Please add IP54 to the suffix of the code.				
Required variants to be added to the suffix of the code of the fixture.				
Suspension Kit to be ordered separately using the code SK to the suffix of the product code.				
Note: Lumens, wattage & dimensions are subject to change due to the fast development in LED technology.				

**How to Specify :**

.....Lm and a min. of .....lm/w Surface LED fixture made of Zinc coated steel, powder coated to corrosion class II with micro embossing PMMA diffuser and ENEC certified LED modules & driver, L80 / B10 > 90000hrs @ 25° C lumen maintenance, .....color temperature, IP40.



**Luminous Intensity Distribution**



Luminous intensity (cd/klm) in level C 0° - 180°  
Luminous intensity (cd/klm) in level C 90° - 270°