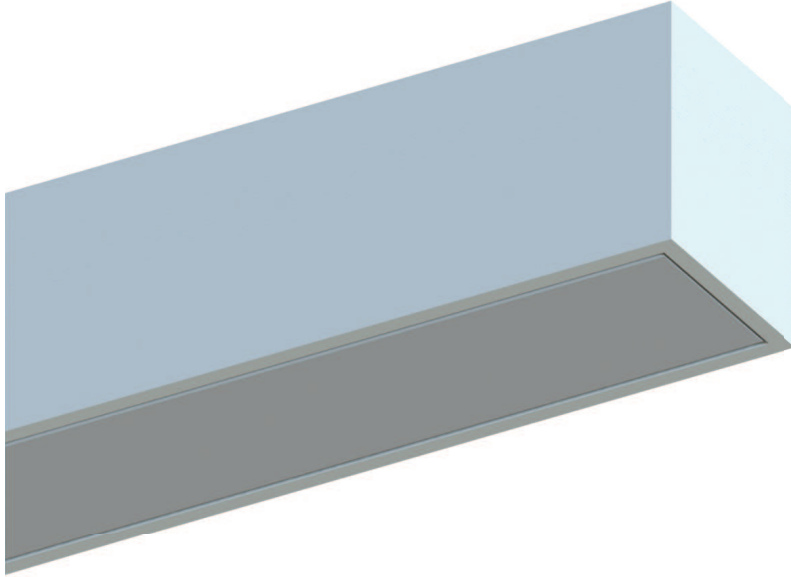


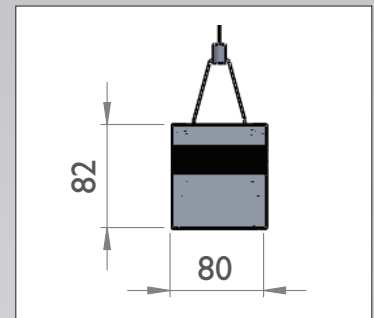
LNS



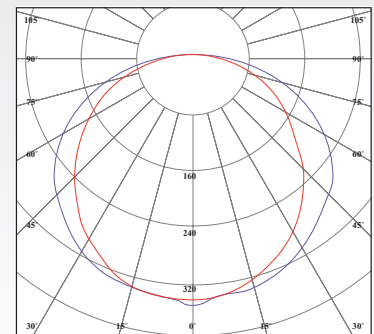
PRODUCT CODES				
	LNS860-2300/17	LNS8116-2300/17	LNS8116-4500/35	LNS8142-5600/43
CONSTRUCTION:				
Housing & Optics:	In extruded aluminum, chemically treated surface to corrosion class II by high pressure spraying at 2.5 bar before its finally electrostatically powder coated with 60 micron thermo-hardened polyurethane powder, stabilized and UV protected. Optics made of high temperature UV stabilized PMMA material. Excellent optical characteristics with high transmission, diffusion rate, special micro embossing, and free static treatment.			
Mounting Device	Surface / Suspension mounting using Suspension Kit.			
Product Dimension (mm)	580 x 80 x 82	1160 x 80 x 82	1160 x 80 x 82	1460 x 80 x 82
Product Color	RAL9016			
ELECTRICAL:				
Input Voltage	220-240V AC			
Frequency	50-60 Hz			
Power Factor	> 0.90			
Power Consumption	17W	17W	35W	43W
Power Consumption Tolerance	+/-10%			
Protection Class	Safety Class(I)			
Glow Wire Test	850 deg C /30 Sec			
CONTROLS:				
Dimmable	Optional			
Dimming Options (Variant)	Dali / 1-10V / Smart Controls			
PERFORMANCE:				
Luminaire Lumens	2300	2300	4500	5600
CCT	5000K (S) - 4000K / 3000K (O)			
CRI	>80			
Initial Chromacity	SCDM <3			
Lumen Maintenance	L80 / B10 > 90000hrs @ 25° C			
Operating Ambient Temperature	+10 to + 55° C			
Storage Temperature	-20 to + 80° C			
Ripple on Modules	<3%			
GENERAL:				
Ingress Protection	IP40			
Impact in Joules	IK03			
Replaceable Modules	Yes			
Luminaire Beam Angle	90 deg			
CE Markings	Yes			
Net Weight	1.2 Kgs	1.8 Kgs	2.4 Kgs	3.2 Kgs
Glare Rating	<19			
VARIANTS:				
Available in Asymmetric Version. Please add code ASM to the suffix of the code.				
Available in IP54 Version. Please add IP54 to the suffix of the code.				
Customised dimensions are available on request, also can be produced in customized shapes.				
(S) Standard (O) Optional upon request to be mentioned along with code of the product.				
Suspension Kit to be ordered separately using the code SK to the suffix of the product code.				
Note: Lumens, wattage & dimensions are subject to change due to the fast development in LED technology.				

How to Specify :

.....lm and a min. oflm/w
 Surface/Suspended LED fixture made of 1.2mm 6063 extruded aluminum, powder coated to corrosion class II with micro embossing PMMA diffuser and ENEC certified LED modules & driver, L80 / B10 > 90000hrs @ 25° C lumen maintenance,color temperature, IP40.



Luminous Intensity Distribution



Luminous intensity (cd/klm) in level C 0° - 180°
 Luminous intensity (cd/klm) in level C 90° - 270°