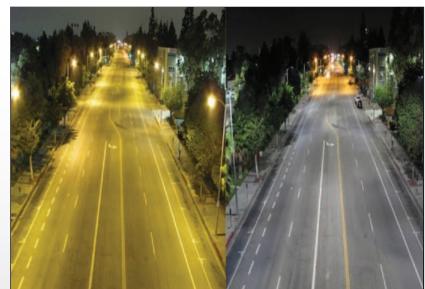


GRL



PRODUCT CODES				
	GRL-6900/60	GRL-11500/100	GRL-17250/150	GRL-23000/200
CONSTRUCTION:				
Housing & Optics.	Made of high die cast aluminum alloy, chemically treated, and polyester powder coated. Optics made of PMMA suitable for operations under high temperature, batwing distribution beam angle as standard with excellent transmission efficiency of 93 %, high thermal stability and UV resistant and protected with thermally treated flat toughed glass.			
Mounting Device	FIXED SPIGOT SUITABLE FOR 48-60MM DIA			
Product Dimension (mm) L x W x H	360 x 221 x 70	500 x 333 x 82	500 x 333 x 82	573 x 336 x 82
Product Color	RAL7042			
ELECTRICAL:				
Input Voltage	220-240V AC			
Frequency	50-60 Hz			
Power Factor	> 0.90			
Power Consumption	60W	100W	150W	200W
Power Consumption Tolerance	+/-10%			
Protection Class	Safety Class(I)			
Glow Wire Test	850 deg C /30 Sec			
CONTROLS:				
Dimmable	NA			
Dimming Options (Variant)	NA			
PERFORMANCE:				
Luminaire Lumens	6900	115000	17250	23000
CCT	5000K (S) - 4000K / 3000K / 2700K (O)			
CRI	>75			
Initial Chromacity	SCDM <5			
Lumen Maintenance	L90 / B10 > 80000hrs @ 65° C			
Operating Ambient Temperature	+10 to + 55° C			
Storage Temperature	-20 to + 80° C			
Ripple on Modules	<3%			
GENERAL:				
Ingress Protection	IP66			
Impact in Joules	IK07			
Replaceable Modules	Yes			
Luminaire Beam Angle	Batwing Distribution.			
CE Markings	Yes			
Net Weight	2.45 Kgs	6 Kgs	6 Kgs	6.8 Kgs
VARIANTS:				

Available in Different Beam Angles depending on the Road Width, Pole Height, Type of Road. For Beam Angles Codes Refer Page 113.

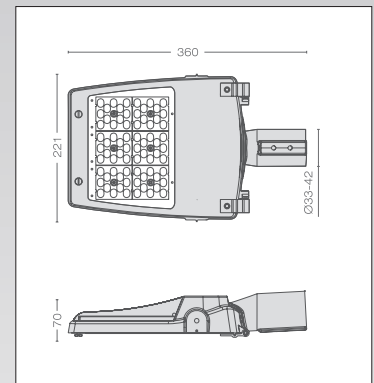
Required variants to be added to the suffix of the code of the fixture.

Note: Lumens, wattage & dimensions are subject to change due to the fast development in LED technology.

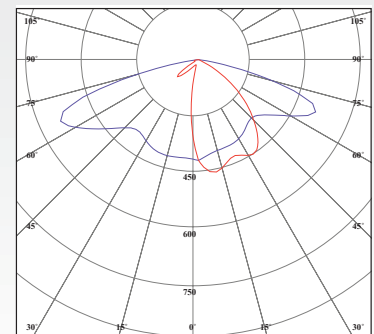
How to Specify :

.....Lm and a min. oflm/w LED Street Light made of die cast aluminum, powder coated to corrosion class II with PMMA lenses, toughened glass, and ENEC certified LED modules & driver, L90 / B10 > 80000hrs @ 65° C lumen maintenance,color temperature, IP66 and in full conformity with :

- EN60598
- EN 55015
- EN61000
- EN61347
- EN61547
- EN62031
- EN62471
- EN62031
- EN62778



Luminous Intensity Distribution



Luminous intensity (cd/klm) in level C 0° - 180°
Luminous intensity (cd/klm) in level C 90° - 270°