

SFS



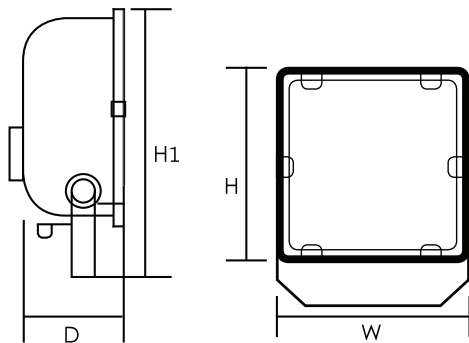
IP 65 CLASS I ⚡ 960°C ⚠ Ⓜ Ⓢ Ⓜ

150

maJELITE



- Body** : made of high pressure die-cast A360 aluminum alloy finished to corrosion class III by high pressure spraying at 2.5 bar before its finally electro-statically powder coated with a 60 micron thermo-hardened polyester powder, stabilized and UV protected.
- Optics** : is made of 99.85 % pure aluminum reflector and protected by a toughened glass..
- Electrical** : 240v/50Hz supply, 180° silicone heat resistant wire, 3-P terminal block in ceramic material.
- Options** : different optical arrangement and other variants are available upon request.



Model Ref.	Lamp(s) Wattage, Holder	H x W x H1 x D (mm)
SFS1000HR	1KW, Halide, K12	490x590x520x295
SFS1000H	1KW, Halide, E40	490x590x520x295
SFS2000HR	2KW, Halide, K12	490x590x520x295
SFS1000S	1KW, Sodium, E40	490x590x520x295
SFS2000H	2KW, Halide, E40	490x590x520x295
CGB	Gear Compartment	186x245x404

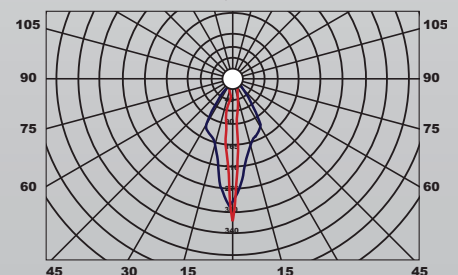
How to Specify :

Floodlight made of cast aluminum body with, Symmetric reflector and front drop down type toughened glass diffuser, integral control gear with mounting bracket-similar to Majelite SFS.....

MAJELITE

151

Luminous intensity Distribution



Luminous intensity (cd/klm) in level C 180° - 0°
Luminous intensity (cd/klm) in level C 270° - 90°