

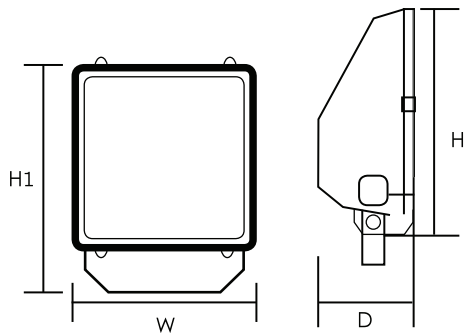
SF



IP65 CLASS I Ⓢ 960°C ⚡ Ⓢ Ⓢ CE



- Body** : made of high pressure die-cast A360 aluminum alloy finished to corrosion class III by high pressure spraying at 2.5 bar before its finally electro-statically powder coated with a 60 micron thermo-hardened polyester powder, stabilized and UV protected.
- Optics** : is made of 99.85 % pure aluminum reflector and protected by a toughened glass..
- Electrical** : 240v/50Hz supply, 180° silicone heat resistant wire, 3-P terminal block in ceramic material.
- Options** : different optical arrangement and other variants are available upon request.



Model Ref.	Lamp(s) Wattage, Holder	H x W x H1 X D (mm)
SF1000H	1KW Halide,E40	529x525x579x189
SF1000S	1KW Sodium,E40	529x525x579x189

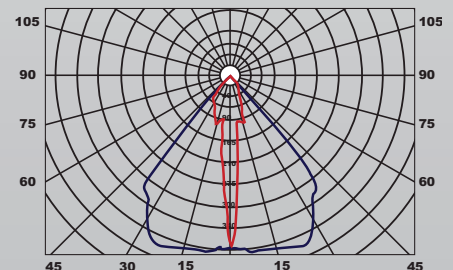
## How to Specify :

Floodlight made of cast aluminum body with, Symmetric reflector and front drop down type toughened glass diffuser, integral control gear with mounting bracket-similar to Majelite SF....

**MAJELITE**

149

Luminous intensity Distribution



Luminous intensity (cd/klm) in level C 180° - 0°  
Luminous intensity (cd/klm) in level C 270° - 90°