

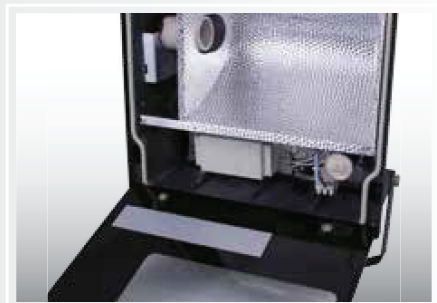
FC



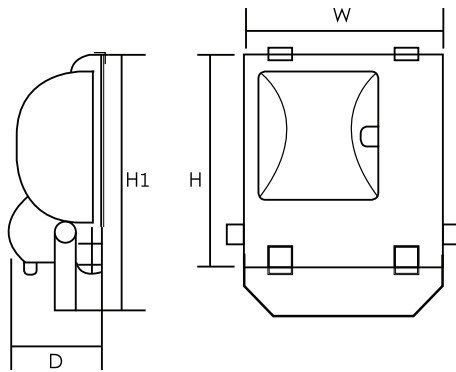
IP 65 CLASS I ⚡ 960°C ⚠ Ⓢ Ⓜ

146

*MAJELITE*



- Body** : made of high pressure die-cast A360 aluminum alloy finished to corrosion class III by high pressure spraying at 2.5 bar before its finally electro-statically powder coated with a 60 micron thermo-hardened polyester powder, stabilized and UV protected.
- Optics** : is made of 99.85 % pure aluminum reflector and protected by a toughened glass..
- Electrical** : 240v/50Hz supply, 180° silicone heat resistant wire, 3-P terminal block in ceramic material.
- Options** : different optical arrangement and other variants are available upon request.



Model Ref.	Lamp(s) Wattage, Holder	H x W x H1 x D (mm)
FC70HR	70W, Halide, RX7s	346x341x399x118
FC150HR	150W, Halide, RX7s	346x341x399x118
FC150S	150W, Sodium, E40	445x430x530x160
FC250M	250W, Mercury, E40	445x430x530x160
FC250H	250W, Halide, E40	445x430x530x160
FC400H	400W, Halide, E40	445x430x530x160
FC250S	250W, Sodium, E40	445x430x530x160
FC400S	400W, Sodium, E40	445x430x530x160

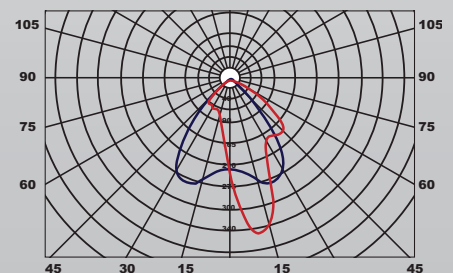
## How to Specify :

Floodlight made of cast aluminum body with, Symmetric reflector and front drop down type toughened glass diffuser, integral control gear with mounting bracket-similar to Majelite FC...

**MAJELITE**

147

Luminous intensity distribution



Luminous intensity (cd/klm) in level C 0° - 180°  
Luminous intensity (cd/klm) in level C 270° - 90°